
 <p>भा.कृ.अनु.प. ICAR</p>	<p><b>भा.कृ.अनु.प. - खरपतवार अनुसंधान निदेशालय</b>  <b>ICAR - Directorate of Weed Research</b>  महाराजपुर, अधारताल, जबलपुर – 482004, (म. प्र.), भारत  Maharajpur, Adhartal, Jabalpur 482 004 (M.P.), INDIA</p>	 <p>खरपतवार अनुसंधान निदेशालय, जबलपुर-४ (म.प्र.) D W R</p>
<b>EPABX</b> : +91-761-2353101, 2353934 <b>Fax</b> : 0761 – 2353129	<b>Gram</b> : WEEDSCIENCE <b>Email</b> : dirdwsr@icar.org.in	<b>F.No. : 13-138/Works/2014-15</b>
		<b>Dt. : 06-01-2016</b>

To,

**Sub.-: Quotation for Repairing of boundary wall facing towards NH 7 & Block A -1, garden side & towards railway line – reg.**

Dear Sir(s)

On behalf of the Director of this Directorate, Quotation are invited for fixing of non rustable GI wire mesh & MS angle with GI wire in place of broken boundary wall facing towards NH-7, Block-1 (Director's benglow) and garden side along the railway line :-

Sealed quotations are invited for the necessary work as per details given below.

क्रमांक	विवरण	लगभग मात्रा
1	मानक कंपनी मेक ISI MARK युक्त MS angle (size 50 x 50x 6mm) उच्च क्वालिटी के प्राईमर की दो या तीन कोट एवं उच्च क्वालिटी का ब्लैक पेन्ट दो या तीन कोट करवा कर, संलग्न ड्राईंग के अनुसार फिटिंग सहित मय मजदूरी के। <b>MS Angle 13' - 20 nos. Approx.</b> <b>MS Angle 9' - 32 nos. Approx.</b>	540 रनिंग फिट
2	मानक कंपनी मेक ISI MARK युक्त Non rustable GI Wire mesh 3" square वाला प्रॉपर गेज का फिटिंग सहित, जाली को ऐंगल के साथ जी. आई वायर से कई स्थानों पर टाईट कर बंधने सहित मय मजदूरी के	6'x 400' long = 2400 sqft
3	2 फिट गहराई में गढ्ढा खोदकर (आर.सी.सी.) सीमेन्ट कान्क्रीट (1:2:4) के अनुपात में एम.एस. ऐंगल आयरन को गडाने का कार्य सामग्री सहित मय मजदूरी के संलग्न ड्राईंग के अनुसार	Ø 9" x 2' x 52' Nos = 46 cuft
4	कार्य के दौरान होने वाले अन्य कार्य	One job

नोट- 1. उपरोक्त कार्य हेतु ठेकेदार कोटेशन देने के पूर्व स्थल का निरीक्षण अवश्य कर लें।

**Terms and conditions**

- 1 The rates should be quoted F.O.R. Destination Directorate DWR, Campus at Maharajpur, Jabalpur.
2. Rates of Sales Tax, Service Tax and other taxes liable should be indicated in clear terms separately. Sales Tax Registration Number both under state and Central Tax Act/Rules should be specifically indicated.
- 3 Tax Deduction at Source (TDS), If applicable, will be made from the Bill of your Firm/Agency.
- 4 Unless otherwise mentioned in the quotation, it will be presumed that the quoted rates are inclusive of all taxes/levies.
- 5 The work should be done in accordance with CPWD specifications.
- 6 The rates quoted should be valid for 90 days from the date of opening of quotation and it should include packing, forwarding and transportation charges.

**Cont.**

- 7 There should be no cutting/overwriting. The cuttings if any should be duly attested. Unattested/ amended/ overwritten figures will not be considered.
- 8 In all matters of disputes, the decision of the Director of this Directorate shall be final.
- 9 Payment will be made within reasonable time say within 30 days after the certified of works at this Directorate. Since the mode of payment will be e-payment system, hence Bank Account Number, Address and IFSC Code Number of Bank must be mentioned in the bill/invoice.
- 10 Quotation should be sent in a sealed cover (BY REGD. POST/SPEED POST/COURIER/UPC/TENDER BOX DWR Jabalpur) and the covering containing. Quotation for Repairing of boundary wall facing towards NH 7 & Block A -1, garden side & towards railway line at DWR. By **30/01/2016 on or before 3.00 pm** Quotation received in an unsealed cover or received after the due date and those which are ambiguous are liable to be rejected. Quotation will be opened on the same day at **3.30 P.M.** While opening the quotation an authorized representative of the firm may be present.
- 11 The bid security (**EMD**) amount equal to **2%** of the quoted price must be submitted along with the bid in form of Demand Draft/Banker's cheque drawn in favour of **ICAR UNIT- DWSR, JABALPUR** otherwise the bid will not be taken into consideration.
- 12 This Directorate reserves the right to reject any or all the quotation(s) received without assigning any reason thereof.
- 13 All disputes subject to Jabalpur Jurisdiction only.
- 14 All communication must be addressed to the undersigned by DESIGNATION ONLY and not by name.
- 15 The Directorate will not be responsible for providing any compensation with respect to medical injuries from implement, tools, snake bite, any kind of accidents or death of labour workers while working in the Directorate premises. The contractor should make his own arrangement for providing medical, first aid, etc to his laborers.
- 16 Before giving or sending the Quotation the contractor may visit the site to better understand the clear requirement.
- 17 The contractor must have and attach the copy of all the required documents related to registration as well as TIN & PAN No. etc.
- 18 All the rates quoted should be on rft/sqft/cuft. Basis only. The quantum of work may vary. No extra payment will be given for any small work raised during on going work which is not mentioned in the estimate.
- 19 No Special arrangement/facilities will be provided to the Contractor whatsoever will be available on the site may be permitted as per term and condition of quotation by C.A.
- 20 Before starting the work contractor should take necessary permission from the concerned Section of wire mesh and angle iron will be approved by works committee before fixing.

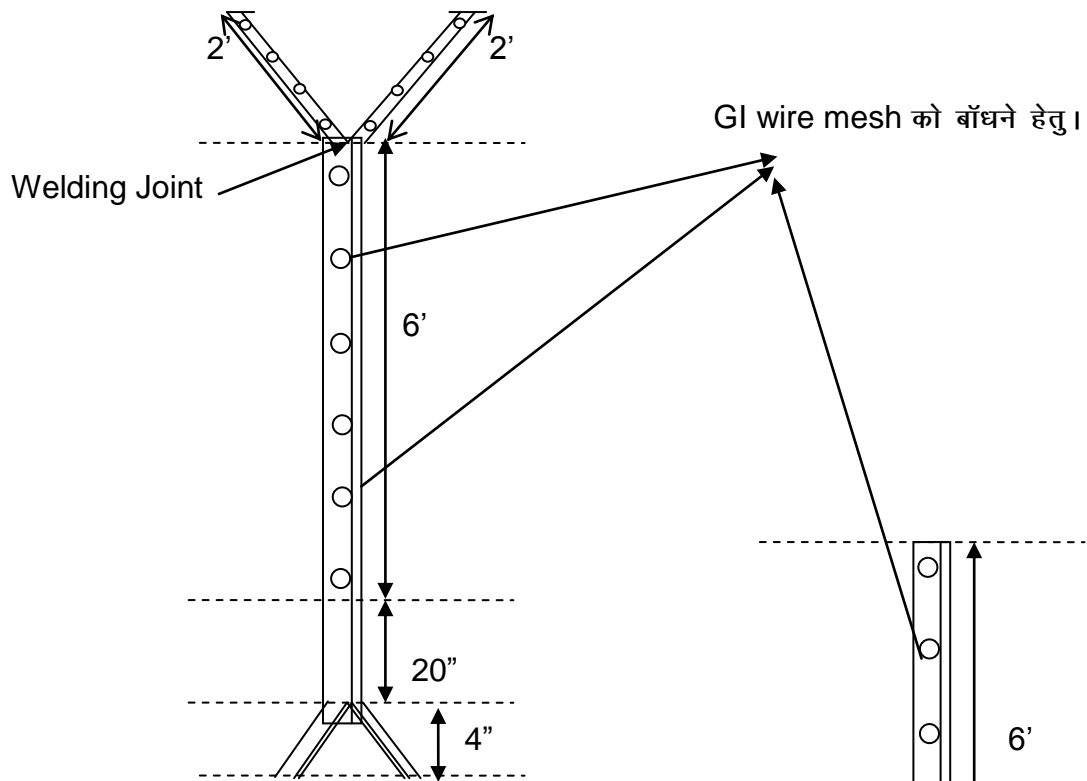
Yours faithfully,

**I/c Store & Purchase section**

ICAR-Directorate of Weed Research	
Drawing No -	DWR/DRG/030/01
Date -	16-09-2015

## Drawing of MS Angle

**A**



**B**

